

Revision Notes.

R1 -

APA: -

Drawn:-

Checked:-

Approved:-

Date: -

ITEM	PART NUMBER	QTY	MODEL / DESCRIPTION
1	(5620B)	1	BS-4000W(TA)-ECU - ECU ONLY
2	(5633B)	1	UDS-001DP(TA) - DISPLAY ONLY
3	(3717)	1	UDS-2.5BC - 2.5M DISPLAY CABLE
4	(3719)	1	UDS-2.5SC - 2.5M SENSOR CABLE
5	(3720)	1	UDS-4.5SC - 4.5M SENSOR CABLE
6	(5677)	1	UDS-8.0SC - 8.0M SENSOR CABLE
7	(5844)	1	UDS-9.0SC - 9.0M SENSOR CABLE
8	(3718)	4	UDS-000HSS - UDS SENSOR
9	(3721)	4	UDS-00SS - 0° SENSOR SLEEVE (NOT SHOWN)
10	(3723)	4	UDS-11SS - 11° SENSOR SLEEVE (NOT SHOWN)
11	(4028)	1	UDS-04-SMK - SENSOR MOUNT KIT (NOT SHOWN)
12	(3728)	1	UDS-IG - INSTALLATION GUIDE (NOT SHOWN)

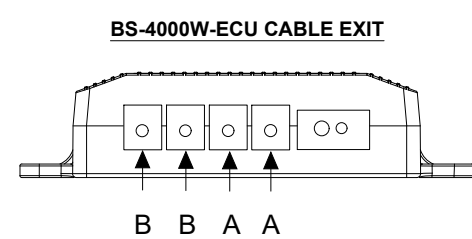
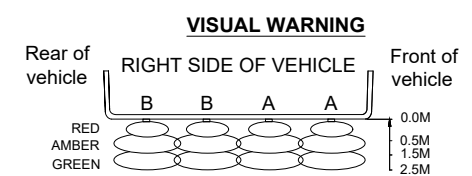
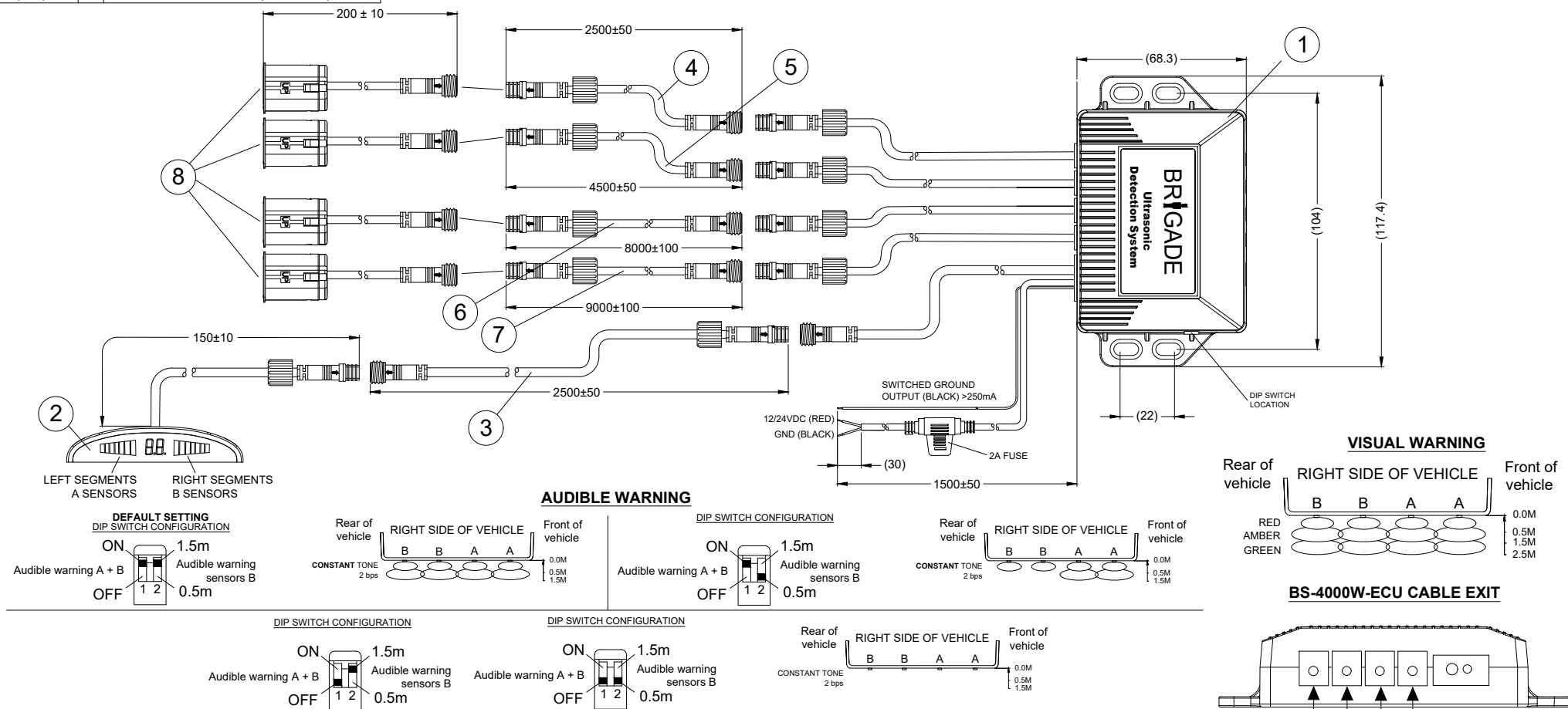
CHANGES FROM BASE PRODUCT BS-4000W (3744) TO BS-4000W(TA) (5622D)

CHANGE:

- UDS-15BC - 15M DISPLAY CABLE (3746) CHANGED TO UDS-2.5BC - 2.5M DISPLAY CABLE (3717).
- FOUR UDS-2.5SC (3719) CHANGED TO ONE UDS -8.0SC (5677), ONE UDS -9.0SC (5844), ONE UDS -4.5SC (3720) AND ONE UDS -2.5SC (3719).
- BS-4000W-ECU (3745) CHANGED TO BS-4000W(TA)-ECU(5620B).
- UDS-001DP DISPLAY(3749) CHANGED TO UDS-001DP(TA)(5633B).

OPERATION:

- MUTE FUNCTION TO OPERATE AFTER 4 SECONDS.
- FREQUENCY OF DISPLAY AUDIBLE WARNING HALF OF THAT OF NORMAL AUDIBLE WARNING.
- DIP SWITCH'S CONFIGURES THE AUDIBLE WARNINGS. (SEE NOTES & DIP SWITCH CONFIGURATIONS).
- "A SENSORS" ARE ASSIGNED TO LEFT SEGMENTS AND "B SENSORS" ARE ASSIGNED TO RIGHT SEGMENTS.



NOTES:

- ALL AUDIBLE WARNINGS ARE MEASURED IN BEEPS PER SECOND (bps).
- VISUAL WARNING IS NUMERICAL AND IN METRES WITH COLOURED SEGMENTS LEFT AND RIGHT.
- ON START-UP THE SYSTEM WILL BEEP ONCE FOR ONE FAULTY SENSOR, TWICE FOR TWO FAULTY SENSORS ETC...
- THE ECU IS FULLY POTTED.
- DIP SWITCH 1 SWITCHES AUDIBLE WARNING ON OR OFF. (HOWEVER THE UDS-DISPLAYS RANGE WILL ALWAYS SHOW 0.0 - 2.5M) DEFAULT POSITION IS ON.
- DIP SWITCH 2 SWITCHES SENSORS B AUDIBLE WARNING BETWEEN 1.5M & 0.5M, DEFAULT POSITION IS 1.5M AND SENSORS A AUDIBLE WARNING ALWAYS REMAIN 1.5M.
- GROUND OUTPUT ON BLACK WIRE OPERATES DURING DETECTION.(MAXIMUM CURRENT 250mA)
- SEE COMPONENT DRAWINGS FOR COMPONENT DETAIL.
- COMPATIBILITY BETWEEN BS-4000W(TA)-ECU(5620B) AND UDS-001DP(TA)(5633B) ONLY, UDS-001BZ IS NOT COMPATIBLE.

PROPRIETARY NOTICE

THIS DESIGN AND TECHNICAL INFORMATION APPEARING ON THIS DRAWING IS THE PROPERTY OF BRIGADE ELECTRONICS, AND IS DISCLOSED IN CONFIDENCE. IT IS NOT TO BE COPIED, REPRODUCED, REVEALED TO OR EXPROPRIATED BY OTHERS, EITHER IN WHOLE OR IN PART WITHOUT THE EXPRESS WRITTEN CONSENT OF BRIGADE ELECTRONICS.

BRIGADE

Assembly Pl Approval A. YAO	Approved by R. PENTLEY	Checked by A. KABEDE	Drawn by J. TYREELL
Angle of Projection 	Units mm	Scale N/A	Released 25/02/20
	Status RELEASED	Assembly Ref BS-4000W (TA)	
	Part No 5622D	BE-004283-00-19	